

PE-5002

Intel® X550-AT2 10GigE PoE+ PCI Express Expansion Card

10GigE

- Intel® X550-AT2 10GBASE-T Ethernet Controller supports 2-port independent 10GigE LAN, up to 10Gbps data rate
- PCI Express x4 interface, PCIe 3.0 supports up to 8.0 GT/s
- Supports IEEE 802.3at Power over Ethernet (PoE+), up to 25.5W Power Output at 48V DC per port, with PoE+ On/Off Control
- IEEE 1588 Precision Time Protocol (PTP) and IEEE 802.1AS Precision Timing Synchronization compliant
- Up to 15.5KB Jumbo Frame, Link Aggregation
- Supports IEEE 802.3az Energy Efficient Ethernet (EEE) and DMA Coalescing Power Management Features
- Supports NBASE-T technology (2.5 and 5.0 GbE over CAT 5e/CAT 6)
- -25°C to 60°C Operating Temperature

Scientific Research



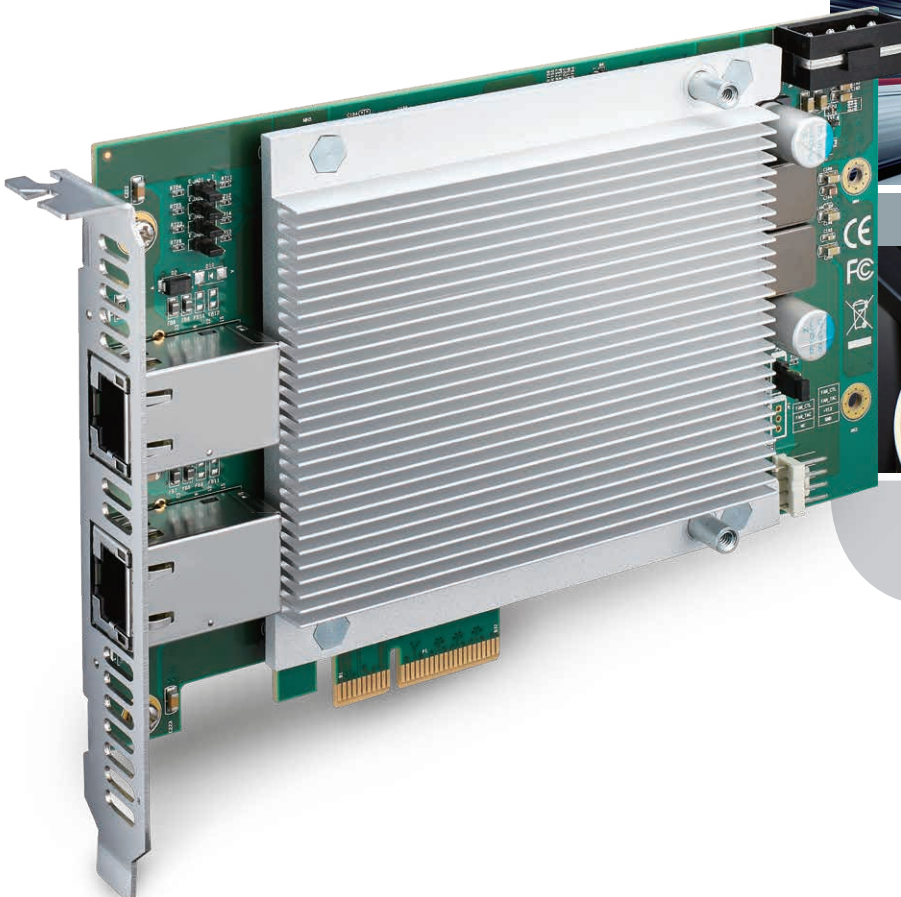
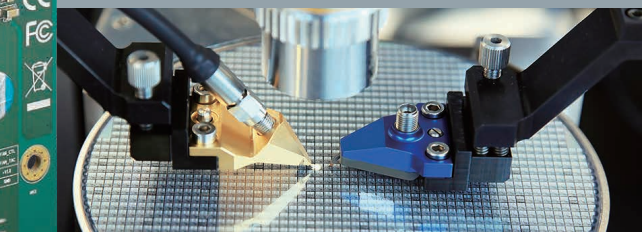
Goal-line Technology



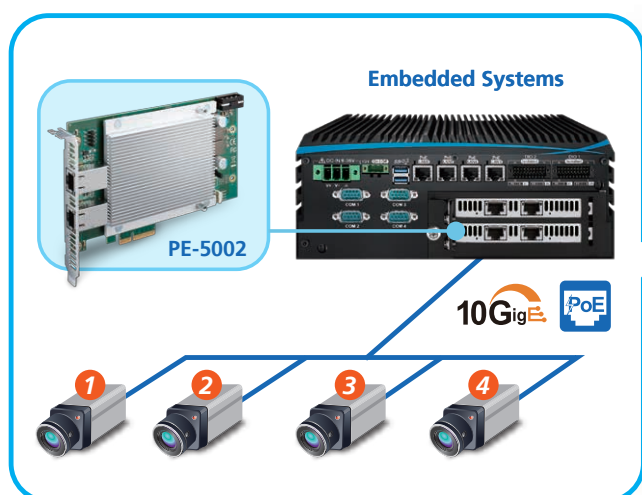
AI Surveillance



Real-time Inspection



Applications



Specifications

Ethernet

Interface	PCI Express x4
Controller	Intel® Ethernet Controller X550-AT2
Controller Qty	1
Data Rate	10Gbps/*5Gbps/*2.5Gbps/1Gbps/100Mbps (*Linux only)
Number of Port	2
Jumbo Frame	Up to 15.5KB supported
Link Aggregation (LAG)	Present
PoE Standard	IEEE 802.3at compliant

Power Requirement

Output	- 2 RJ45 Connector - 2 LED for PoE On/Off Mode - Up to 25.5W Power Output at 48V DC per port
Power Connector	1 4-pin 12V Power Connector

Mechanical

Dimension (W x L)	168mm x 111mm (6.6" x 4.4")
Bracket	Full height

Software Support

OS	Windows 11/10/8.1/7, Linux
----	----------------------------

Environment

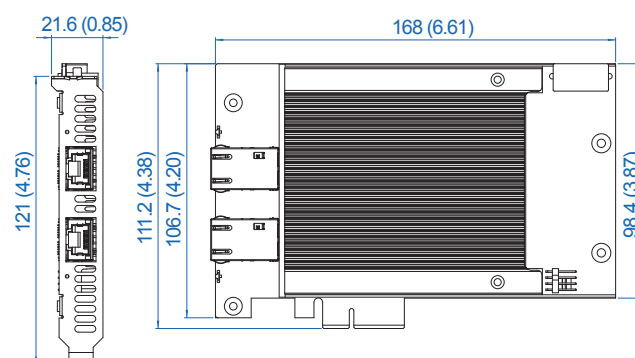
Operating Temperature	-25°C to 60°C with air flow (-40°F to 140°F)
Storage Temperature	-40°C to 85°C (-40°F to 185°F)
Humidity	5% to 95% Humidity, non-condensing
Relative Humidity	95% @ 60°C
EMC	CE, FCC

Order Information

Model	Description
PE-5002	Intel® X550-AT2 2-CH PCI Express Card with 10GigE PoE*

Dimensions & Drawing

Unit : mm (inch)



* The rights of all brand names, product names and trademarks belong to their respective owners. Copyright © 2024 Vecow Co., Ltd. All rights reserved.